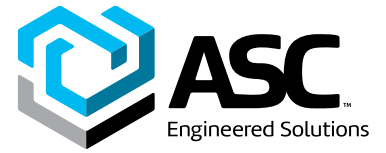


Building connections that last™



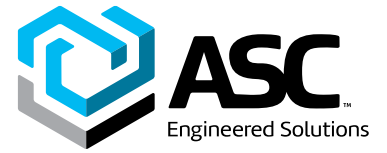
Series 15FW, 15FN, 15MN, 15MFN, 15FGW, 15GW

UL/FM AWWA Resilient
Wedge NRS Gate Valves
Datasheet



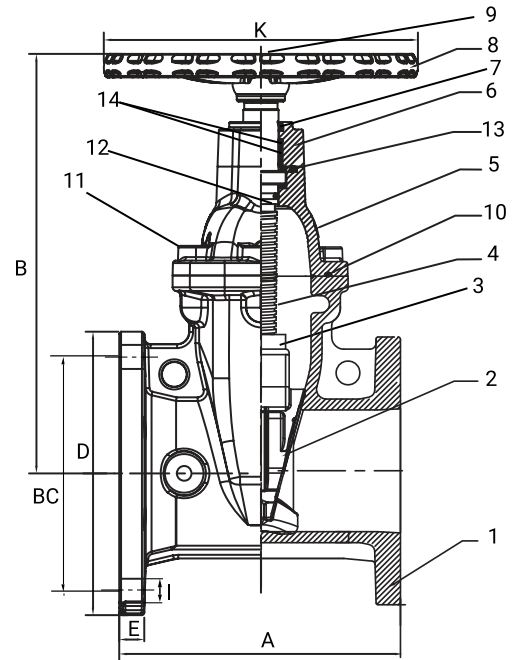
UL/FM AWWA Resilient Wedge NRS Gate Valve, Flanged – Handwheel

Series 15FW



- 300 lb. non-shock cold working pressure
- Ductile iron body and bonnet
- EPDM rubber encapsulated ductile iron wedge
- 304 Stainless Steel non-rising stem
- Wax encapsulated stainless cap screws
- Fusion bonded epoxy coating AWWA C550
- Meets AWWA C515
- Certified to ANSI/NSF 61 & 372 (Lead Free)
- UL Listed / FM Approved
- SCI® Brand for full traceability

No.	Part	Material
1	Body	Ductile Iron Gr. A536 65-45-12
2	Wedge	Ductile Iron Gr. A536 65-45-12; EPDM
3	Wedge Nut	Bronze B584 C83600
4	Stem	304 Stainless Steel
5	Bonnet	Ductile Iron Gr. A536 65-45-12
6	Packing Gland	Ductile Iron Gr. A536 65-45-12
7	Stem Wiper	EPDM
8	Handwheel	Ductile Iron Gr. A536 65-45-12
9	Handle Bolt	304 Stainless Steel
10	Bonnet O-Ring	EPDM
11	Bonnet Bolts	304 Stainless Steel
12	Gasket	EPDM
13	Packing/Bonnet O-Ring	EPDM
14	Packing/Gland O-Ring	EPDM



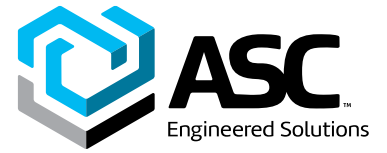
Size	Part Number	Weight	A	B	BC*	D	E	I	K
IN		LB	IN	IN	IN	IN	IN	IN	IN
2	017115FW020	29	7.00	10.00	4.75	6.00	0.65	4 - 0.75	7.10
2-½	017115FW024	35	7.50	10.82	5.50	7.00	0.69	4 - 0.75	7.10
3	017115FW030	46	8.00	11.85	6.00	7.50	0.75	4 - 0.75	7.90
4	017115FW040	65	9.00	13.98	7.50	9.00	0.75	8 - 0.75	10.00
6	017115FW060	108	10.50	17.64	9.50	11.00	0.75	8 - 0.88	12.00
8	017115FW080	180	11.50	21.57	11.75	13.50	0.87	8 - 0.88	15.75
10	017115FW100	251	13.00	24.65	14.25	16.00	0.94	12 - 1.00	17.70
12	017115FW120	400	14.00	28.43	17.00	19.00	1.00	12 - 1.00	17.70

* Bolt Circle



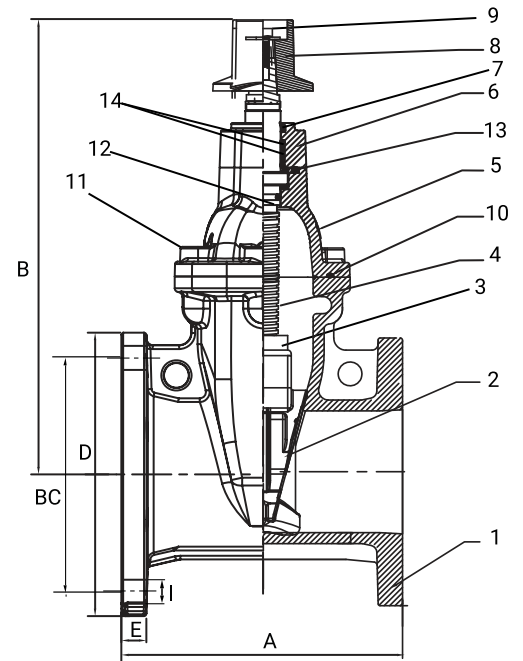
UL/FM AWWA Resilient Wedge NRS Gate Valve, Flanged – Op Nut

Series 15FN



- 300 lb. non-shock cold working pressure
- Ductile iron body and bonnet
- EPDM rubber encapsulated ductile iron wedge
- 304 Stainless Steel non-rising stem
- Wax encapsulated stainless cap screws
- Fusion bonded epoxy coating AWWA C550
- Meets AWWA C515
- Certified to ANSI/NSF 61 & 372 (Lead Free)
- UL Listed / FM Approved
- SCI® Brand for full traceability

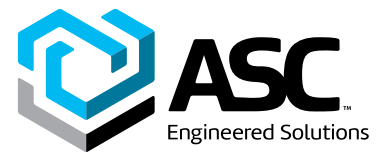
No.	Part	Material
1	Body	Ductile Iron Gr. A536 65-45-12
2	Wedge	Ductile Iron Gr. A536 65-45-12; EPDM
3	Wedge Nut	Bronze B584 C83600
4	Stem	304 Stainless Steel
5	Bonnet	Ductile Iron Gr. A536 65-45-12
6	Packing Gland	Ductile Iron Gr. A536 65-45-12
7	Stem Wiper	EPDM
8	Operating Nut	Ductile Iron Gr. A536 65-45-12
9	Handle Bolt	304 Stainless Steel
10	Bonnet O-Ring	EPDM
11	Bonnet Bolts	304 Stainless Steel
12	Gasket	EPDM
13	Packing / Bonnet O-Ring	EPDM
14	Packing / Gland O-Ring	EPDM



Size	Part Number	Weight	A	B	BC*	D	E	I
IN		LB	IN	IN	IN	IN	IN	IN
2	017115FN020	29	7.00	10.40	4.75	6.00	0.65	4 - 0.75
2-½	017115FN024	35	7.50	11.20	5.50	7.00	0.69	4 - 0.75
3	017115FN030	46	8.00	12.20	6.00	7.50	0.75	4 - 0.75
4	017115FN040	65	9.00	13.78	7.50	9.00	0.75	8 - 0.75
6	017115FN060	108	10.50	18.98	9.50	11.00	0.75	8 - 0.88
8	017115FN080	180	11.50	20.47	11.75	13.50	0.87	8 - 0.88
10	017115FN100	251	13.00	24.88	14.25	16.00	0.94	12 - 1.00
12	017115FN120	400	14.00	29.29	17.00	19.00	1.00	12 - 1.00

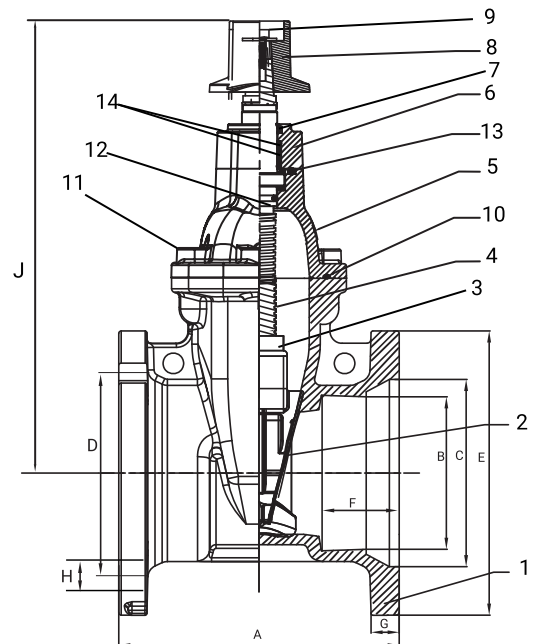
* Bolt Circle

UL/FM AWWA Resilient Wedge
NRS Gate Valve, Mechanical
Joint - Op Nut
Series 15MN



- 300 lb. non-shock cold working pressure
- Ductile iron body and bonnet
- EPDM rubber encapsulated ductile iron wedge
- 304 Stainless Steel non-rising stem
- Wax encapsulated stainless cap screws
- Fusion bonded epoxy coating AWWA C550
- Meets AWWA C515
- Certified to ANSI/NSF 61 & 372 (Lead Free)
- UL Listed / FM Approved
- SCI® Brand for full traceability

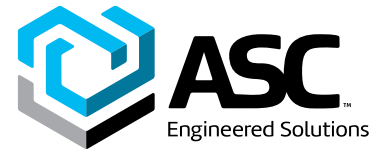
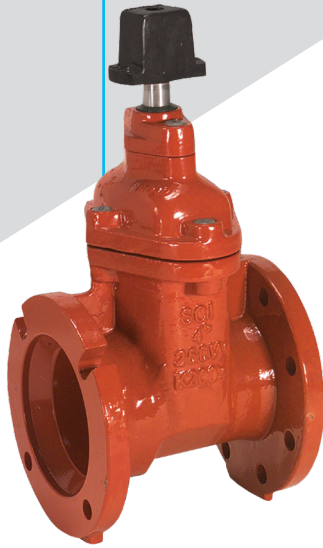
No.	Part	Material
1	Body	Ductile Iron Gr. A536 65-45-12
2	Wedge	Ductile Iron Gr. A536 65-45-12; EPDM
3	Wedge Nut	Bronze B584 C83600
4	Stem	304 Stainless Steel
5	Bonnet	Ductile Iron Gr. A536 65-45-12
6	Packing Gland	Ductile Iron Gr. A536 65-45-12
7	Stem Wiper	EPDM
8	Operating Nut	Ductile Iron Gr. A536 65-45-12
9	Handle Bolt	304 Stainless Steel
10	Bonnet O-Ring	EPDM
11	Bonnet Bolts	304 Stainless Steel
12	Gasket	EPDM
13	Packing / Bonnet O-Ring	EPDM
14	Packing / Gland O-Ring	EPDM



Size	Part Number	Weight	A	B	C	D	E	F	G	H	I	J
IN		LB	IN	IN	IN	IN	IN	IN	IN	IN	IN	IN
3	017115MN030	46	9.00	4.13	4.94	6.19	7.69	2.50	0.58	4-0.75	0.87	12.20
4	017115MN040	62	9.00	4.98	6.02	7.50	9.06	2.50	0.60	4-0.87	1.02	13.78
6	017115MN060	103	10.50	7.08	8.12	9.50	11.06	2.50	0.63	6-0.87	1.14	18.98
8	017115MN080	175	11.50	9.23	10.27	11.75	13.31	2.50	0.66	6-0.87	1.26	20.47
10	017115MN100	270	13.00	11.30	12.34	14.00	15.62	2.50	0.70	8-0.87	1.41	24.88
12	017115MN120	404	14.00	13.39	14.44	16.25	17.88	2.50	0.73	8-0.87	1.50	29.29

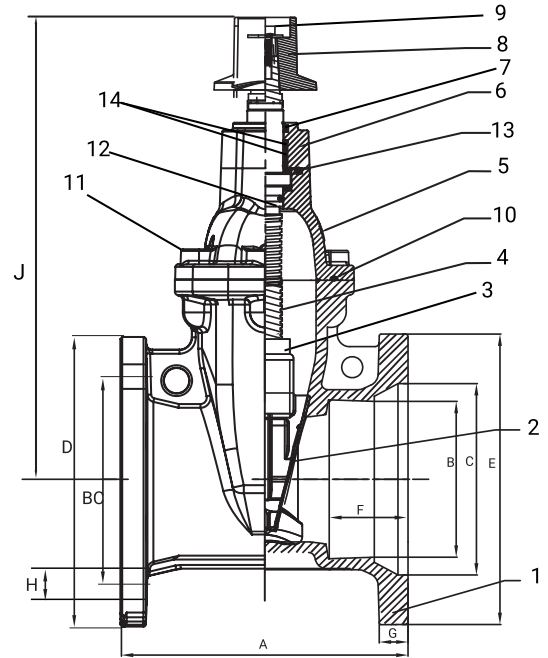
UL/FM AWWA Resilient Wedge NRS Gate Valve, Flanged x MJ – Op Nut

Series 15MFN



- 300 lb. non-shock cold working pressure
- Ductile iron body and bonnet
- EPDM rubber encapsulated ductile iron wedge
- 304 Stainless Steel non-rising stem
- Wax encapsulated stainless cap screws
- Fusion bonded epoxy coating AWWA C550
- Meets AWWA C515
- Certified to ANSI/NSF 61 & 372 (Lead Free)
- UL Listed / FM Approved
- SCI® Brand for full traceability

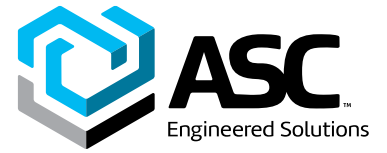
No.	Part	Material
1	Body	Ductile Iron Gr. A536 65-45-12
2	Wedge	Ductile Iron Gr. A536 65-45-12; EPDM
3	Wedge Nut	Bronze B584 C83600
4	Stem	304 Stainless Steel
5	Bonnet	Ductile Iron Gr. A536 65-45-12
6	Packing Gland	Ductile Iron Gr. A536 65-45-12
7	Stem Wiper	EPDM
8	Operating Nut	Ductile Iron Gr. A536 65-45-12
9	Handle Bolt	304 Stainless Steel
10	Bonnet O-Ring	EPDM
11	Bonnet Bolts	304 Stainless Steel
12	Gasket	EPDM
13	Packing / Bonnet O-Ring	EPDM
14	Packing / Gland O-Ring	EPDM



Size	Part Number	Weight	A	BC*	B	C	D	E	F	G	H	I	J
IN		LB	IN	IN	IN	IN	IN	IN	IN	IN	IN	IN	IN
3	017115MFN030	46	8.00	6.00	4.13	4.94	7.50	7.69	2.50	0.58	4 - 0.75	0.87	12.20
4	017115MFN040	62	9.00	7.50	4.98	6.02	9.00	9.06	2.50	0.60	8 - 0.75	1.02	13.78
6	017115MFN060	103	10.50	9.50	7.08	8.12	11.00	11.06	2.50	0.63	8 - 0.88	1.14	18.98
8	017115MFN080	175	11.50	11.75	9.23	10.27	13.50	13.31	2.50	0.66	8 - 0.88	1.26	20.47
10	017115MFN100	270	13.00	14.25	11.30	12.34	16.00	15.62	2.50	0.70	12 - 1.00	1.41	24.88
12	017115MFN120	404	14.00	17.00	13.39	14.44	19.00	17.88	2.50	0.73	12 - 1.00	1.50	29.29

* Bolt Circle

UL/FM AWWA Resilient Wedge NRS Gate Valve, Flanged x Grooved Series 15FGW



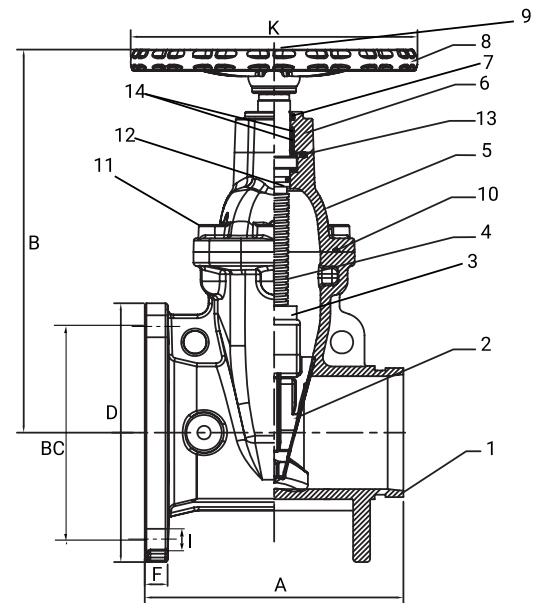
Note:

Discontinued see
15FGN



- 300 lb. non-shock cold working pressure
- Ductile iron body and bonnet
- EPDM rubber encapsulated ductile iron wedge
- 304 Stainless Steel non-rising stem
- Wax encapsulated stainless cap screws
- Fusion bonded epoxy coating AWWA C550
- Meets AWWA C515
- Certified to ANSI/NSF 61 & 372 (Lead Free)
- UL Listed / FM Approved
- SCI® Brand for full traceability

No.	Part	Material
1	Body	Ductile Iron Gr. A536 65-45-12
2	Wedge	Ductile Iron Gr. A536 65-45-12; EPDM
3	Wedge Nut	ASTM B62 C83600
4	Stem	304 Stainless Steel
5	Bonnet	Ductile Iron Gr. A536 65-45-12
6	Packing Gland / O-Ring	EPDM
7	Stem Wiper	EPDM
8	Handwheel	Ductile Iron Gr. A536 65-45-12
9	Bolt	304 Stainless Steel
10	Bonnet O-Ring	EPDM
11	Bonnet Bolts	304 Stainless Steel
12	Gasket / O-Ring	EPDM
13	Packing / Bonnet O-Ring	EPDM
14	Packing / Gland O-Ring	EPDM



Size	Part Number	Weight	A	B	BC*	D	F	I	K
IN		LB	IN	IN	IN	IN	IN	IN	IN
3	017115FGW030	44	8.00	11.85	6.00	7.50	0.75	4-0.750	7.87
4	017115FGW040	61	9.00	13.97	7.50	9.00	0.75	8-0.750	10.00
6	017115FGW060	104	10.50	17.64	9.50	11.00	0.75	8-0.875	12.00
8	017115FGW080	180	11.50	21.57	11.75	13.50	0.87	8-0.875	15.75
10	017115FGW100	290	13.00	24.65	14.25	16.00	0.94	12-1.00	17.71

* Bolt Circle

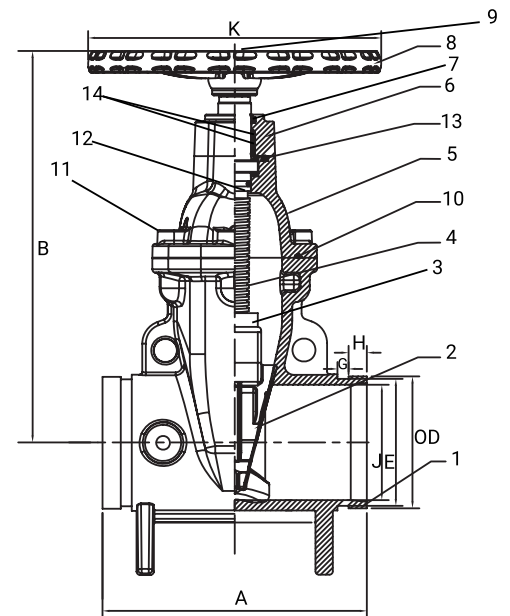
UL/FM Resilient Wedge
NRS Gate Valve, Grooved End
Series 15GW

Note:
Discontinued –
Limited Stock



- 300 lb. non-shock cold working pressure
- Ductile iron body and bonnet
- EPDM rubber encapsulated ductile iron wedge
- 304 Stainless Steel non-rising stem
- Wax encapsulated stainless cap screws
- Fusion bonded epoxy coating AWWA C550
- Grooved dimensions meet AWWA C-606
- Certified to ANSI/NSF 61 & 372 (Lead Free)
- UL Listed / FM Approved
- SCI® Brand for full traceability

No.	Part	Material
1	Body	Ductile Iron Gr. A536 65-45-12
2	Wedge	Ductile Iron Gr. A536 65-45-12; EPDM
3	Wedge Nut	ASTM B62 C83600
4	Stem	304 Stainless Steel
5	Bonnet	Ductile Iron Gr. A536 65-45-12
6	Packing Gland / O-Ring	EPDM
7	Stem Wiper	EPDM
8	Handwheel	Ductile Iron Gr. A536 65-45-12
9	Bolt	304 Stainless Steel
10	Bonnet O-Ring	EPDM
11	Bonnet Bolts	304 Stainless Steel
12	Gasket / O-Ring	EPDM
13	Packing / Bonnet O-Ring	EPDM
14	Packing / Gland O-Ring	EPDM



Size	Part Number	Weight	A	B	E	G	H	J	K	OD
IN		LB	IN	IN	IN	IN	IN	IN	IN	IN
4	017115GW040*	48	9.00	13.97	4.33	0.37	0.625	3.94	10.00	4.50
6	017115GW060*	83	10.50	17.64	6.45	0.37	0.625	5.90	12.00	6.625
8	017115GW080*	149	11.50	21.57	8.44	0.44	0.75	7.87	15.75	8.625
10	4349002210	228	13.00	24.65	10.56	0.50	0.75	9.84	17.71	10.750

* Note: Discontinued – See 15GN

About ASC Engineered Solutions

ASC Engineered Solutions is defined by quality—in its products, services and support. With more than 1,400 employees, the company's portfolio of precision-engineered piping support, valves and connections provides products to more than 4,000 customers across industries, such as mechanical, industrial, fire protection, oil and gas, and commercial and residential construction. Its portfolio of leading brands includes ABZ Valve®, AFCON®, Anvil®, Anvil EPS, Anvil Services, Basic-PSA, Beck®, Catawissa, Cooplet®, FlexHead®, FPPI®, Gruvlok®, J.B. Smith, Merit®, North Alabama Pipe, Quadrant®, SCI®, Sharpe®, SlideLOK®, SPF® and SprinkFLEX®. With headquarters in Commerce, CA, and Exeter, NH, ASC also has ISO 9001:2015 certified production facilities in PA, TN, IL, TX, AL, LA, KS, and RI.



asc-es.com

Building connections that last™

